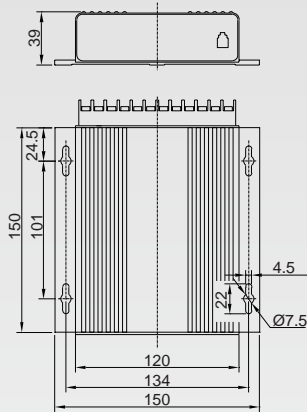


As Series multi – function Alarm



Application

Used in the cabs of engineering machinery (travelling cranes, crawler cranes, truck cranes and etc.), port machinery (gantry crane, overhead travelling cranes and etc.).

Main Functions & Features

- Speaking prior to alarm.
- Volume adjustable.
- Microphone & Loudspeaker available.
- Various tones to choose from.
- Visible and audible alarm synchronous (optional).
- Power off memory can hold the setting data.
- Several kinds of combination mode for choose.
- Nice appearance, convenient operation.

Specification

Description	Parameter
Operating voltage	AC110V ~ AC240V
Frequency	50 ~ 60Hz
Alarm tone	A, B, E (customized available)
Standard	GB /8108 – 1999
dB	106dB~110dB
Output carrier power	200W
Ambient temperature	-30°C ~ +60°C
Humidity	10% ~ 95% (non – condensing)
Material	Aluminum alloy
Weight	1.5kg

Model	Output wattage	Speaker	Microphone
AS210	10W	YH10-2 10W / 8Ω	handset /gooseneck
AS211	25W	YH25-3 25W / 16Ω	gooseneck
		YH25-3 25W / 16Ω*2	/handset
AS212	50W	YH50-3 50W / 16Ω*2	gooseneck /handset



AS210 / AS211 / AS212



SS-A handset



SE gooseneck microphone



YH25-3 loudspeaker



YH10-2 loudspeaker